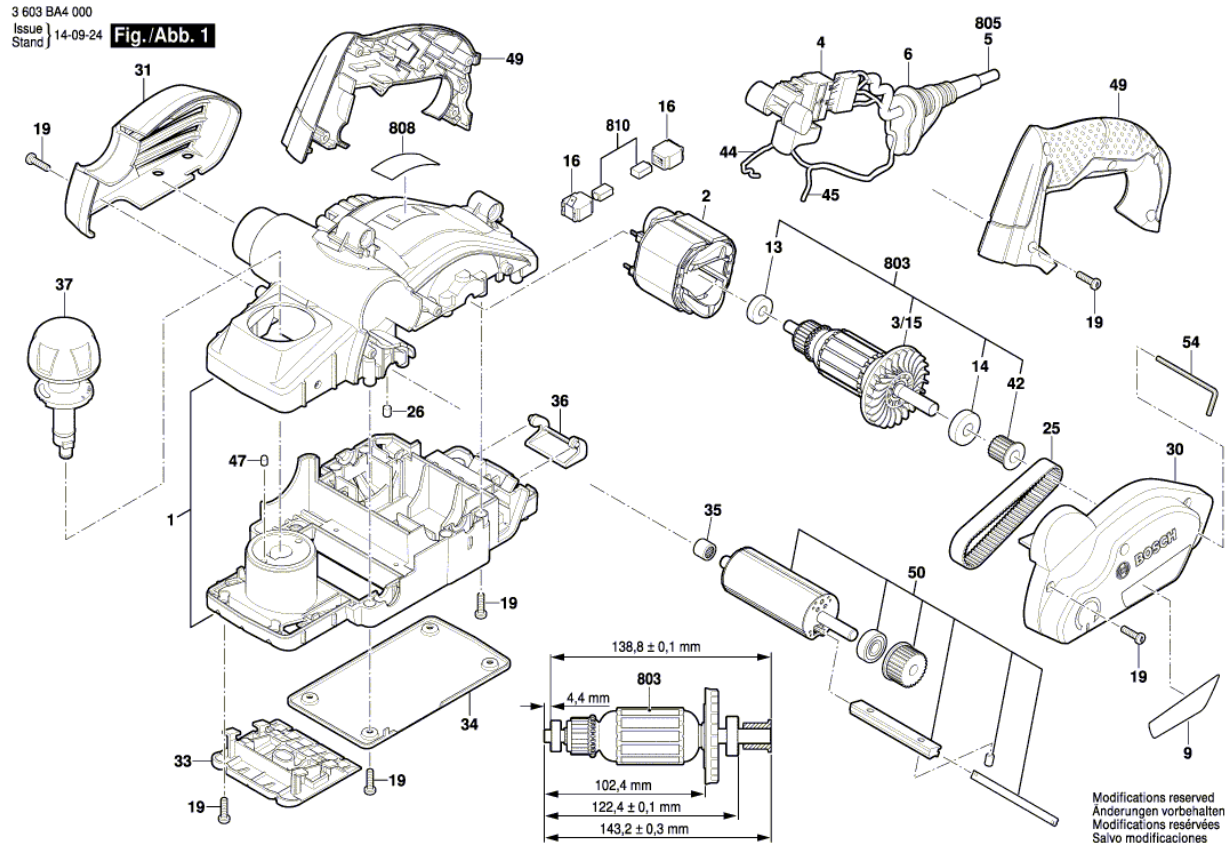


Illustration - Type - E



Spare parts list

Item	Part Number	Description	Illustration
1	1 619 P12 317	Motor Housing GREEN	1
2	1 619 P08 350	Field 220-230V	1
3/15	2 606 610 096	Fan	1
4	1 619 X08 569	Switch	1
6	1 619 X06 341	Grommet	1
9	1 619 X08 494	Manufacturer's nameplate PHO 1500	1
13	1 619 X06 535	groove ball bearing	1
14	1 619 P12 162	groove ball bearing	1
16	1 619 X02 735	Brush Holder	1
19	2 603 490 022	Screw 4x16	1
25	2 604 736 001	Toothed Belt	1
26	2 603 100 056	Damping rubber	1
30	1 619 X08 461	Gear Cover BLACK	1
31	1 619 X08 484	Brush-Cover	1
33	1 619 X08 462	Adjusting Slide	1
34	1 619 X08 463	Base Plate	1
35	1 610 910 057	Needle bearing Ø8xØ12x10 MM	1
36	1 619 X08 465	Knife Guard	1
37	1 619 X08 673	Cap-Handle BLACK	1
42	1 619 X08 472	Toothed Belt Wheel	1
44	1 619 X08 473	Connecting Cable L=300 MM BLUE	1
45	1 619 X06 542	Lead WHITE	1
47	2 600 590 006	Ratchet Cap	1
49	1 619 X08 466	Set Of Handles GREEN	1
50	2 608 584 003	Planer Head	1
54	2 607 950 045	Offset Screwdriver	1
803	1 619 X09 120	Armature set 220-230V	1
805	1 607 000 388	Power supply cord EU 2,65m 2 x 1,0mm H05 RN-F	1
808	1 619 P31 672	Nameplate	1
810	1 619 X09 122	Carbon-Brush Set	1